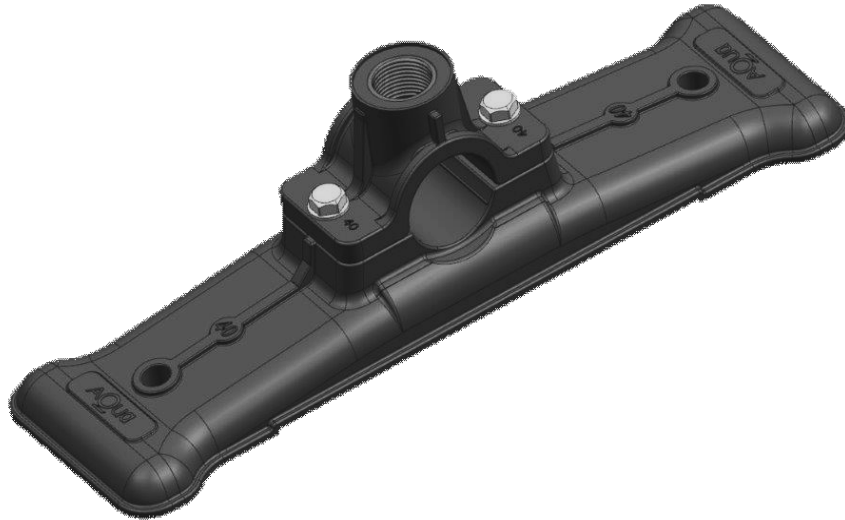


# Saddle with stablizer

Riser connection Size: 1/2", 3/4" & 1"



## HIGHLIGHTS

---

- Stablizer designed for excellent gripping in the field with minimal riser vibration.
- O-ring in saddle avoid leakage at minimum pressure.
- Fast installation and easy to use in the field.
- Polypropylene material gives excellent strength and flexibility to achieve excellent functionality.
- UV resistant material for long life.

## TECHNICAL DATA

---

- Working pressure: Up to 4.0 kg/cm<sup>2</sup> (57 PSI)
- Pipe Size OD: 40mm / 50mm / 63mm